

**SOLAR & WIND  
ENERGY**

**ALTERNATIVE POWER UPS**



*Wind - Solar - Battery - AC - Inverter /UPS*

*5000 Watt Wind Power*

*2000 Watt Solar Power*

*Strong Battery Charger*

*AC or Generator Input*

*Static Bypass Switch*

*50 / 60 Hz Output*

*LCD - LED Display*

*Sinewave Output - THD 3%*

*Output Isolation Transformer*

*RS 232 communication Interface*

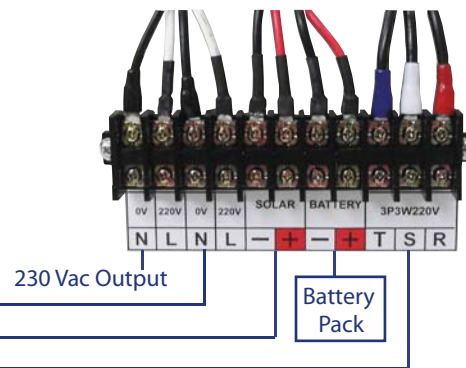


Vision UPS Systems

Duarrefstrooss 36  
L-9944 Beiler  
LUXEMBOURG

[www.visionups.com](http://www.visionups.com)

# SOLAR & WIND ENERGY



## Technical Specifications ▶▶

	AP 5000
Power	
UPS	5000 W
UPS + Mains / Generator	5000 W + 5000 W
Input	
Wind Generator	AC - 3 Phases / 115 Vac - 280 Vac / 0 - 60 Hz
Solar	160 - 400 Vdc - 2000W Charger
Bypass	230 Vac
Output	230 Vac +/- 1%
THD	< 3 %
Frequency	50 / 60 Hz +/- 0,2%
Batteries	
DC Voltage	192 Vdc - 16x12 Vdc
Charger	5 Amp
Indicator	LED & LCD
Protection	Overload - Short Circuit - Battery Low - Fault - Bypass
Alarm	Visual & Audible
Dimensions (HxWxD)	730 x 380 x 940 mm
Weight	70 Kg
Warranty	2 Years